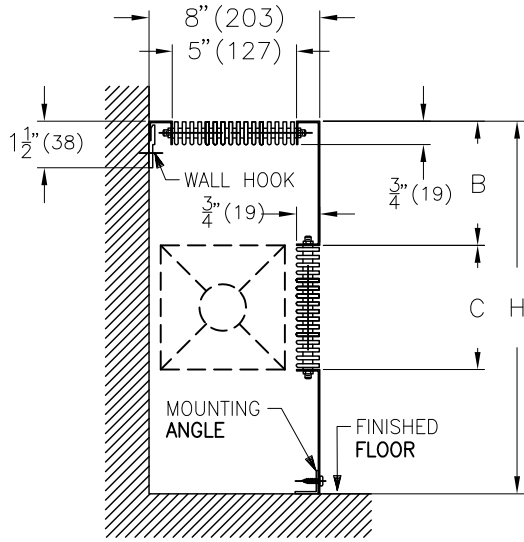


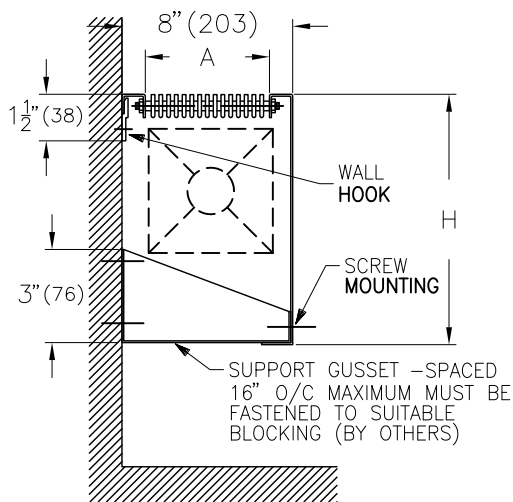
**LE, LINEAR ENCLOSURE**

**TYPE B - CONVECTOR, PERIMETER**



TYPE B		
H	C	B
8" (203)	5" (127)	1 1/2" (38)
10" (254)	5" (127)	2 1/2" (64)
	6" (152)	2" (51)
12" (305)	5" (127)	3 1/2" (89)
	6" (152)	3" (76)
	8" (203)	2" (51)
14" (356)	5" (127)	4 1/2" (114)
	6" (152)	4" (102)
	8" (203)	3" (76)

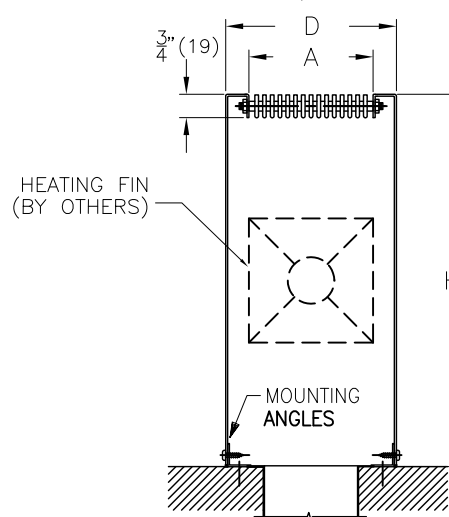
**TYPE C - CONVECTOR, WALL-MOUNTED**



TYPE C	
H	
8" (203)	
10" (254)	
12" (305)	

TYPE C	
A	
5" (127)	
6" (152)	

**TYPE D - CONVECTOR/FORCED AIR, FLOOR MOUNTED**



TYPE D	
H	
8" (203)	
10" (254)	
12" (305)	
14" (356)	

TYPE D	
D	A
6" (152)	4" (102)
8" (203)	5" (127)
	6" (152)

**NOTES:**

- BARS ARE FIXED AND PARALLEL TO LONG DIMENSION.
- MAXIMUM HEIGHT = 14" (356)
- MAXIMUM DEPTH = 8" (203)
- MAXIMUM SECTION LENGTH = 72" (1829)
- SECTIONS CAN BE JOINED USING MULLIONS FOR CONTINUOUS INSTALLATION
- FACTORY TOLERANCE: ± 1/32" (1) PER GRILLE SECTION.
- TYPE D FLOOR MOUNTED ENCLOSURES INSTALLED IN MULTIPLE SECTION RUNS OR WITHOUT END CAPS, REQUIRE ADDITIONAL BRACING. CONTACT PRICE REPRESENTATIVE FOR DETAILS.

**FINISH:**

- B12 WHITE (OPTIONAL FINISHES AVAILABLE)

**MATERIAL:**

- ALUMINUM CONSTRUCTION

MODULE LENGTH	L
24" (610)	24 5/8" (625)
36" (914)	36 5/8" (930)
48" (1219)	48 5/8" (1235)
60" (1524)	60 5/8" (1540)
72" (1829)	72 5/8" (1845)

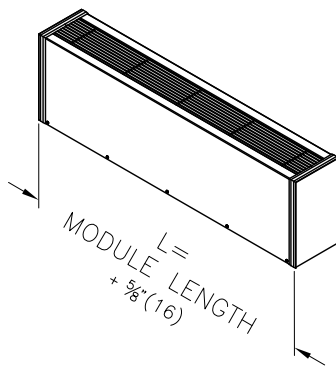
ALL METRIC DIMENSIONS ( ) ARE SOFT CONVERTED. IMPERIAL DIMENSIONS ARE CONVERTED TO METRIC AND ROUNDED TO THE NEAREST MILLIMETER.

<b>PROJECT:</b>		<b>PRICE®</b>
<b>ENGINEER:</b>		
<b>CUSTOMER:</b>		222039
<b>SUBMITTAL DATE:</b>	<b>SPEC. SYMBOL:</b>	2016/01/11

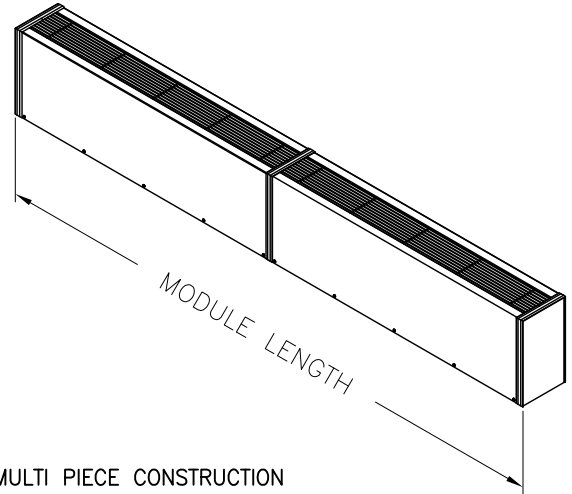
**LE, LINEAR ENCLOSURE**

<b>CORE STYLES</b>			
<b>1/4" SPACING</b>	<b>1/2" SPACING</b>		
<b>1/8" BARS</b>	<b>1/8" BARS</b>	<b>7/32" BARS</b>	
<p><b>□ 15A</b></p>	<p><b>□ 15B</b></p>	<p><b>□ 25B</b></p>	<p><b>□ 27B</b></p> <p>30° DEFLECTION</p>
<p><b>□ 16A</b></p> <p>15° DEFLECTION</p>	<p><b>□ 16B</b></p> <p>15° DEFLECTION</p>	<p><b>□ 26B</b></p> <p>15° DEFLECTION</p>	

**CONSTRUCTION**



SINGLE PIECE CONSTRUCTION



MULTI PIECE CONSTRUCTION

ALL METRIC DIMENSIONS ( ) ARE SOFT CONVERTED. IMPERIAL DIMENSIONS ARE CONVERTED TO METRIC AND ROUNDED TO THE NEAREST MILLIMETER.

<b>PROJECT:</b>		<b>PRICE®</b>	
<b>ENGINEER:</b>		<i>MG</i>	<b>LE</b> LINEAR ENCLOSURE
<b>CUSTOMER:</b>		222039	
<b>SUBMITTAL DATE:</b>	<b>SPEC. SYMBOL:</b>	2016/01/08	